



INSTRUCTION MANUALS

ST-370 FM/AM RDS STEREO TUNER

.....

Notes on environmental protection:

At the end of its useful life, this product must not be disposed off with regular household waste, but must be returned to a collection point for a recycling of electric and electronic equipment. The symbols on the product, user manuals and packaging point this out. The materials can be reused in accordance to their markings. Through re-use, recycling of raw materials or other form of recycling of old products, you are making an important contribution to the protection of our environment. Your local administrative office can advice you of the responsible waste disposal points.

.....

CONTENTS

ACCESSORIES	3
CONTENTS	3
SAFETY PRECAUTIONS	4
IMPORTANT SAFETY INSTRUCTIONS	4
IMPORTANT INFORMATION	7
CONNECTIONS TO THE MAINS	8
REMOTE CONTROL	8
FRONT/REAR PANEL	10
AUDIO CONNECTIONS	11
OPERATION AND FUNCTIONS	12
TROUBLESHOOTING	14
TECHNICAL SPECIFICATIONS	14

ACCESSORIES

Accessories

- 1 x ST-370 FM/AM RDS Stereo Tuner
- 1 x Remote control
- 2 x Batteries (Optional)
- 1 x Operation Manual

This operation manual supplies all the information that you need to have about your System Fidelity stereo tuner. Please read this operation manual carefully before you start using the unit!

SAFETY PRECAUTIONS



A triangle with a lightning symbol draws the user's attention to "dangerous voltage" without insulation in the cabinet which may be high enough to entail a risk of electric shock.



A triangle with an exclamation mark draws the user's attention to important instructions for use and maintenance in the accompanying manual, which should be studied.



A symbol for CLASS II (double insulation)

WARNING:

TO MINIMISE THE RISK OF FIRE OR ELECTRICAL SHOCK, DO NOT EXPOSE THE UNIT TO RAIN OR MOISTURE. DO NOT OPEN THE CABINET AS IT CONTAINS DANGEROUS VOLTAGE. ONLY QUALIFIED TECHNICIANS ARE ALLOWED TO CARRY OUT REPAIR AND SERVICE.

CAUTION:

If the plug of the power cord needs to be replaced, it is important that the replacement is identical to the plug to be replaced, or that the new plug has been recommended by the manufacturer.

TO AVOID ELECTRICAL SHOCK, IT IS IMPORTANT TO INSERT THE PLUG CORRECTLY INTO THE SOCKET.

IMPORTANT SAFETY INSTRUCTIONS

WARNING: IT IS IMPORTANT THAT YOU READ AND OBSERVE BOTH THE INSTRUCTIONS IN THIS MANUAL AND THE INSTRUCTIONS ON THE UNIT. KEEP THIS MANUAL FOR FUTURE REFERENCE .

This unit was designed and manufactured with a view to providing maximum safety for the user. Incorrect use of the unit may cause electrical shock or fire. The protection devices built into this unit will protect the user if the procedures below are observed in connection with installation, use and repair. This unit is fully electronic and contains no parts that can be repaired by the end user .

PLEASE DO NOT REMOVE THE CABINET. RISK OF DANGEROUS VOLTAGE. ONLY QUALIFIED AND AUTHORIZED TECHNICIANS ARE ALLOWED TO REPAIR THE UNIT.

Read the manual upon unpacking the unit

Please read the manual carefully and observe all the instructions given.

Power supply

Only the power supply indicated on the rating plate must be used for this unit.

If you are not sure which power supply you have, please contact the distributor or the local electricity supplier.

Earthing or polarisation

If the plug cannot be inserted properly into the socket, or if the plug does not fit, the unit must not be used in your country.

Ventilation

The cabinet is provided with slots and openings to ensure ventilation and reliable operation and to protect the unit against overheating. Do not block or cover these openings. The openings must never be blocked, for instance by placing the unit on a bed, a sofa, a carpet or similar surface .

Heat

Do not place the unit near sources of heat such as radiators, heat registers, ovens or other units that produce heat.

Water and moisture

The unit must not be placed close to water, such as bathtub, wash basin, kitchen sink or laundry tub, in a damp cellar or close to a swimming pools, etc.

Cleaning

Unplug the unit before cleaning. Do not use liquid detergents and aerosol cleaning agents. Please use only a dry cloth for cleaning the unit.

Power cords

Wiring must be organised to prevent people from stepping on the cables and to avoid pinching by objects placed on or beside them. Take special care around sockets and plug boxes and where the power cords leave the unit.

Overloading

Make sure that wall sockets, extension cords and plug boxes are not overloaded as this may lead to fire or electrical shock.

Lightning

Unplug the unit for additional protection during thunderstorms or when the unit is not used for prolonged periods. This will prevent damage to the unit from lightning and power surges.

Penetration of objects and liquid

Never push any foreign objects through the openings into the unit, as they may touch dangerous voltage points or short-circuit parts and thus cause fire or electric shock. Do not allow any liquid to be spilled on or into the unit.

Accessories

Do not place the unit on unstable surfaces such as a trolley, stand, tripod, shelf or table. The unit may fall and injure children or adults or be seriously damaged. Use only trolley, stand, tripod, shelf or table that is very stable or provided with the unit. The unit must be installed in accordance with the manufacturers instructions and by means of installation equipment recommended by the manufacturer.

If the unit is placed on a trolley, the trolley must be moved very carefully. Sudden stops, unnecessary force and uneven surfaces may cause the trolley to turn over.

Loads

Do not place heavy loads on the unit and do not step on it. The load may fall and cause serious injury to persons or damage to the unit.

Damage

Unplug the unit and contact qualified technicians in the following cases:

- A) If the power cord or the plug is damaged.
- B) If liquid has been spilled on the unit or objects have fallen into the unit.
- C) If the unit has been exposed to rain or water.
- D) If the unit does not work properly after adhering to the instructions in the operation manual. Only the settings described in the operation manual

must be made as incorrect setting may result in damage and often will make it difficult for a qualified technician to make the unit work properly again.

E) If the unit has been dropped or damaged in any other way.

F) When the operation of the unit changes drastically, the unit requires service.

Service

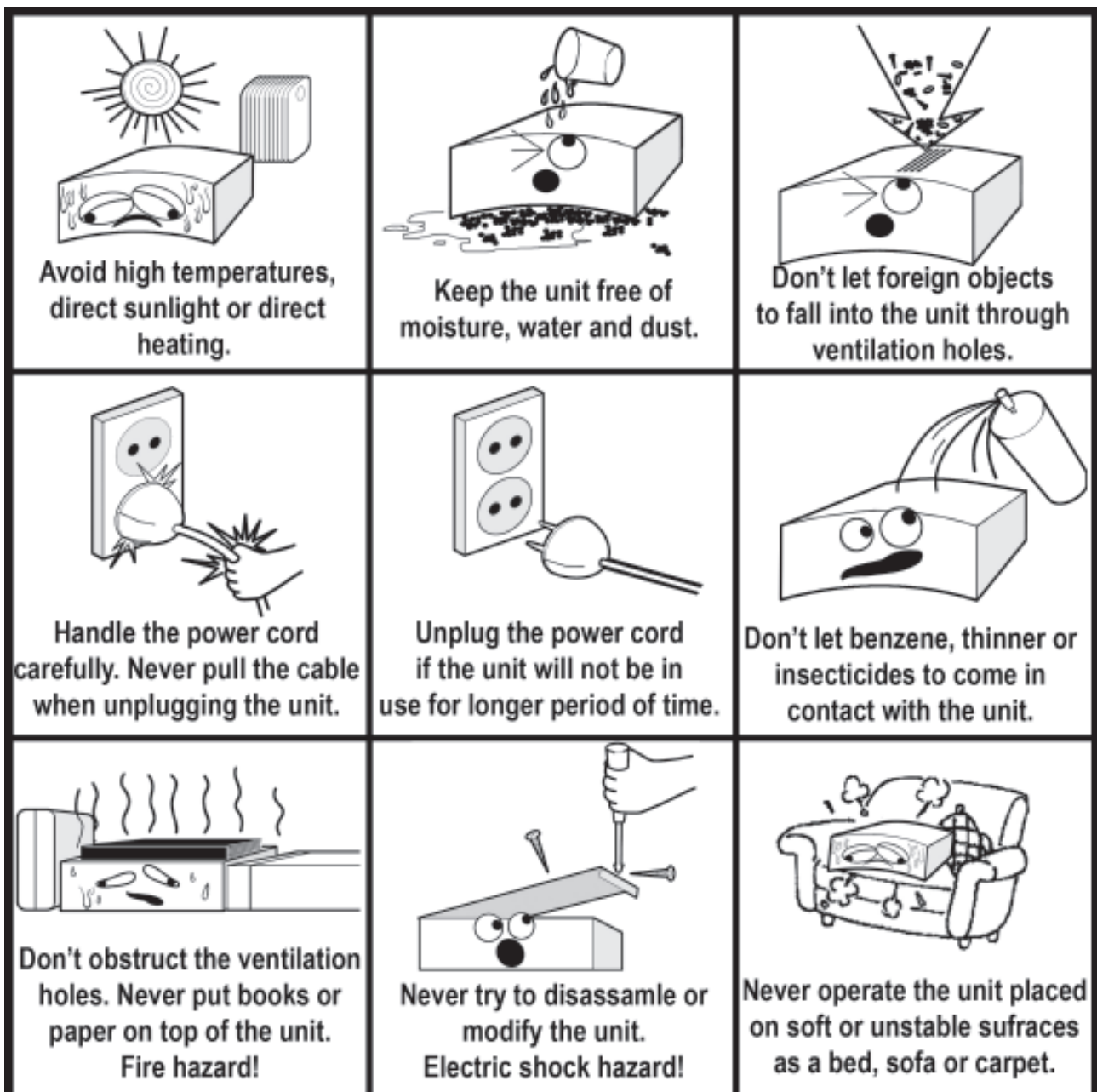
Do not attempt to carry out any service work yourself. By opening or removing the cabinet, you will be exposed to dangerous voltage or other hazards. Any service work should be carried out by qualified technicians.

Spare parts

If spare parts are required, make sure that the service technician uses spare parts specified by the manufacturer or spare parts with the same characteristics as the original. Unauthorised spare parts may cause fire, electrical shock, etc.

Safety check

After service or repairs on the unit, ask the service technician to carry out a safety check to ensure that the unit is ready for use.



IMPORTANT INFORMATIONS

Handling instructions

The top and back panel of the unit may become warm after prolonged use. This is not due to a defect.

Turn off the power when the unit is not used.

Protect the power cord

Follow the instructions below to prevent abnormal operation, electrical shock, fire or personal injury: Hold the plug firmly when inserting it into the socket.

Avoid heat-producing devices.

Do not place objects on the power cord.

Do not carry out service work on or change the power cord.

Positioning

Do not place the unit in any of the following places:

- In sunlight, close to heat-producing devices or in an enclosed rack;
- In places with high temperatures (40C or more) or high relative humidity (90% or more);
- In dirty or dusty places as some internal parts may be damaged.

Please do not put your fingers or any other objects into the unit

Touching the internal parts is dangerous and may cause injury or damage. Do not open the cabinet. Do not place any foreign matter in the unit.

Interference

Placing the tuner near a television set, radio or video player may cause poor picture and sound quality. In that case, move the tuner further away from the television set, radio or video player.

Condensation

Condensation may occur in the following cases:

When the unit is moved directly from a cold to a warm place.

When the unit is used in a room where the radiator has just been switched on or a place where the cold air from the air-conditioning system is directed at the unit.

If the unit is used in the summer in a warm and humid room just after it has been moved from an air-conditioned room.

If there is steam or a high level of humidity in the room.

In case of condensation, the tuner may not work properly. Turn off the unit. Unplug the unit and leave it for 2-3 hours. The tuner will then have adapted to the environment and any condensation will have disappeared.

NOTES ON INSTALLATION:

Your System Fidelity ST-370 should be placed on a firm, level surface. Avoid placing it in direct sunlight or near sources of heat and damp. Always allow adequate ventilation and don't place it on a soft surface like a carpet. Don't place it in an enclosed position such a bookcase or cabinet that may impede the air-flow through the ventilation holes. The unit shall not be exposed to dripping or splashing and that no objects filled with liquids, such as vases, shall be placed on the unit.

About connection to the mains

Do not turn on the power before all connections have been made correctly.

Check that all connections have been made correctly before turning on the power.

Check that the mains voltage is 230-240V AC50Hz before turning on the power.

Check that all other connections have been made correctly before inserting the mains plug into the wall socket.

Then insert the plug into a suitable socket.

If the unit is to be used abroad, you may need an adapter.

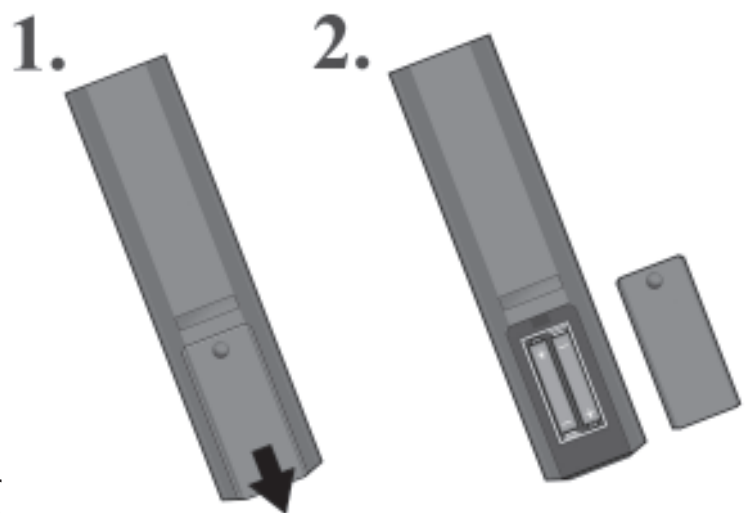
REMOTE CONTROL

Installation of batteries

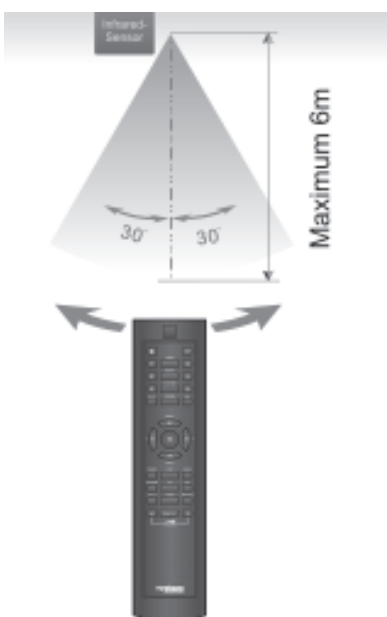
Remove the cover at the back.

Position two batteries of the type AAA/R03/UM4 in the battery compartment. Make sure that the orientation and polarity of the batteries is correct (see drawing).

Do not mix new and old batteries and do not use different types of batteries. If the remote control is not used for prolonged periods, remove the batteries from the remote control to avoid corrosion.



Using the remote control



Direct the remote control at the sensor on the front panel of the amplifier. When the remote control signal is received, the unit reacts accordingly. The remote control works within a range of 6m.

Sometimes the remote control may not work well in direct strong light. You may have to move the amplifier if it is a problem.

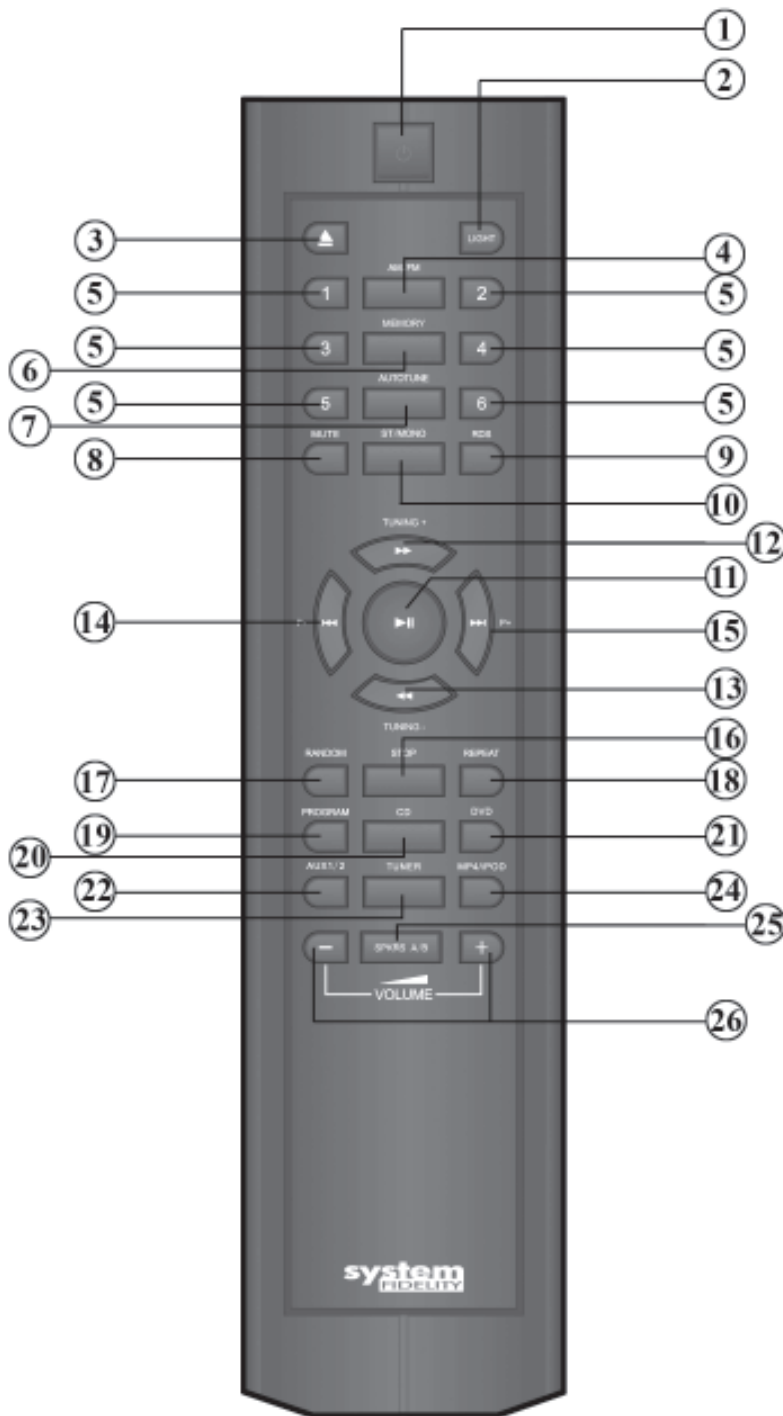
Malfunction may occur if remote controls of some other equipments are used near the amplifier.

Do not place any objects on the remote control, as the batteries may become flat if a key is depressed constantly.

Make sure that there are no obstacles between remote control and amplifier.

Do not position the amplifier behind tinted glass as it may reduce the maximum range of the remote control.

Remote control functions



ST-370 TUNER FUNCTIONS:

- (1) Power: Sets the ST-370 in standby mode.
- (4) AM/FM: press to choose between AM or FM mode
- (5) 1-6 : Directly selects the first six stored stations.
- (6) MEMORY: press to store the tuned station
- (7) Autotune: Press for automatic search in to AM/FM stations. At FM, the autotune function will search for a station at a higher frequency.
- (9) RDS: Displays RDS and other information.
- (10) ST/MONO: press to choose between stereo or mono reception (in case of very weak signal, mono can offer better sound without noise.
- (12-13) Tuning: press + or - for manual tuning.
- (14-15) P (preset): press + or - for selecting of the stored stations.

CD-370 CD-PLAYER FUNCTIONS:

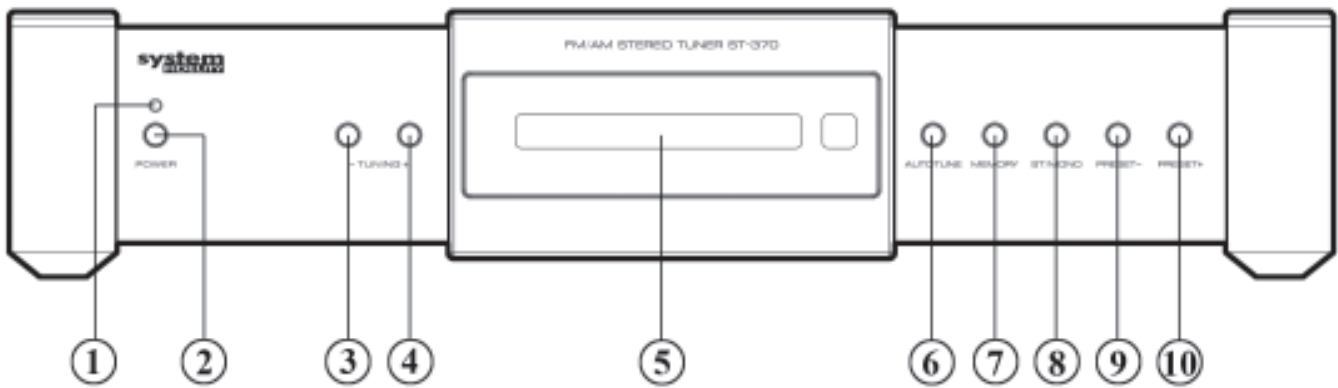
- (1) Power: Sets the CD-370 in standby mode
- (3) Eject: Opens the CD tray
- (5) 1-6 : Selects desired track for playback among first 6 tracks.
- (11) PLAY/PAUSE: press once for playback. If press during play, the disc is paused. Press one more time for resume play.
- (12-13) SEARCH (◀◀ / ▶▶): Search backwards or forward.
- (14-15) SKIP (◀◀ / ▶▶): Selects the previous or the next track.
- (16) Stop: Stops playback
- (17) Random: All tracks are played in random order
- (18) Repeat: Repeats a single track or all tracks on a CD
- (19) Program: Allows playback of the music tracks on a CD in a certain order

SA-370 AMPLIFIER FUNCTIONS:

- (1) Power: Sets the SA-370 into standby mode.
- (2) Light: switches on and off the light around the volume knob
- (8) Mute: temporarily switches off the sound.
- (20-24) Input buttons: Selects input source of amplifier.
- (24) SPKRS A/B: selects which pair of speakers are playing.
- (26) Volume +/-: Adjusts the master volume.

Note: Some of the amplifier functions can only be performed by means of the remote control. Some functions are connected with the selected signal input source. Some buttons on the remote control may therefore not be available if the corresponding signal input source has not been selected.

FRONT PANEL DESCRIPTION



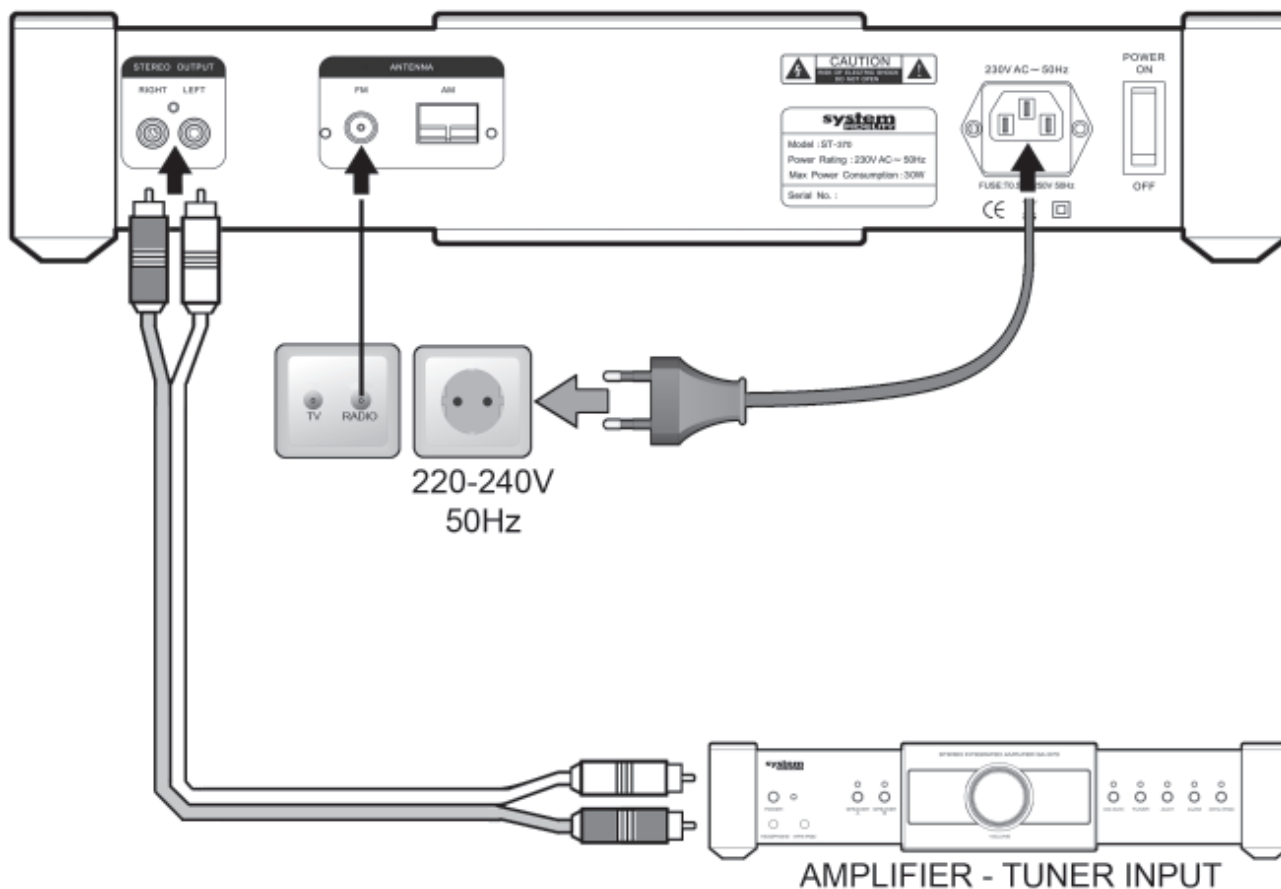
- (1) **LED indicator:** indicates the stand-by mode
- (2) **Stand-by power switch:** Used to switch the amplifier on and to stand-by.
- (3-4) **Tuning:** 3,5-mm jack that suits most headphones.
- (5) **VFD Display**
- (6) **Autotune:** switches on or off the main speaker pair.
- (7) **Memory:** switches on or off the additional speaker pair.
- (8) **ST/MONO:** by turning the knob sound volume increases or decreases.
- (9-10) **Preset:** Activates the source input.

REAR PANEL DESCRIPTION



- (1) - (5) **Line Inputs** - RCA cynch inputs for connection of audio source units.
- (6) **SUB OUT:** RCA cynch output for connection of powered (active) subwoofer.
- (7) **Speakers A:** Speaker terminals (left and right speaker) for connection of the main speaker pair
- (8) **Speakers B:** Speaker terminals (left and right speaker) for connection of the additional speaker pair
- (9) **Power cord terminal:** for connecting the main lead.
- (10) **Main power switch:** The power on/off switch.

CONNECTIONS



Notes:

When make the connection, please refer to the connection diagram. Make sure that all the units are switched off during any connection. The RCA sockets on your ST-370 are color coded for your convenience. Red and white are RIGHT and LEFT audio respectively. Use high quality RCA-interconnect and antenna cables for optimum performance and reliability.

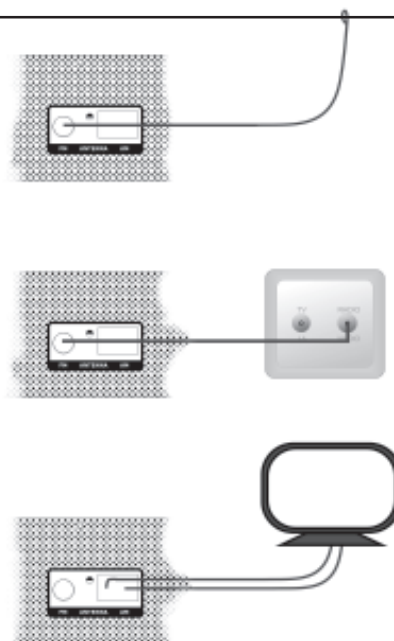
ABOUT THE ANTENNA

As it applies to all other radios, the sound quality depends on the signal strength of the antenna inputs. The position of the radio in relation to the transmitter thus directly influences the quality of the signal received. For an optimal result it is therefore very important that you make sure that the radio receives the best possible antenna signal.

The FM antenna must be adjusted for the best possible result. A good tip is to let the antenna end point in a vertical direction and fix it on a wall.

For an optimal result it is recommended to install a FM antenna on the roof or on the loft, or to connect it to a cable system.

For receiving AM station an AM loop antenna must be installed. Adjust the antenna for the best possible reception.



OPERATION AND FUNCTIONS

Quick start

1. Connect the tuner to corresponding RCA terminals of your amplifier and connect the antenna to the antenna terminal on the back side of the tuner.
2. Plug in the AC power cord.
3. Press the POWER switch on the back panel of the unit to turn the player into stand-by mode.
4. Press the stand-by button on the front panel or on the remote control and press required input selector. And enjoy.

On, Off and standby

Turn on the unit by pressing the mains switch on the back panel and unit will turn into stand-by mode. When in standby mode all functions are reduced to a minimum to make sure that the unit uses minimal power. In standby mode the unit only reacts to the standby button of the remote control.

Press the standby (power) button on the remote control or the front panel to switch on. The red LED indicator will turn off and the display will turn on.

If you wish to turn off the unit to avoid any power consumption, you must press the mains switch.

Protect the environment and turn off the unit after use.

RDS and FM/AM

1. As this tuner can receive both normal FM radio and AM, it features a function that can switch between the two reception types. To switch between FM and AM, you must either press the FM/AM button on the front panel or the FM or AM buttons on the remote control.

2. This tuner features information possibilities on FM called RDS (Radio Data System). RDS is a method for the transmission of additional information from local Radio Stations. It can only be operated in FM mode. For example, name of the station broadcasting, name of the program or the type of program will be shown on the multi-function display.

To activate this information, press "RDS" on remote control, there are functions for PS, PTY, WAIT CT and RT.

PS (Program Service Name)

Press "RDS" on remote control until "PS" appears. The current station name will be shown.

Note: "NO PS" will be shown if the signal from local radio station is not strong enough or no such service is available at the chosen station.

PTY (Program Type)

Press "RDS" on remote control until "PTY" appears. The current name type of the program will be shown.

Note: "NO PTY" will be shown if the signal from local radio station is not strong enough or no such service is available at the chosen station.

CT (Clock - Time)

Press "RDS" on remote control, then "WAITING CT" will appear. The current time from Radio Station will be shown, e.g. 15:30

Notes: Time will be only transmitted from local radio station once a minute, so you need to wait for less than 1 minute to show the result. "NO CT" will be shown if the signal from local radio station is not strong enough or no such service is available at the chosen station.

RT (Radio text)

Press "RDS" on remote control until "RT" appears. Some Text messages will be shown.

Note: "NO RT" will be shown if the signal from local radio station is not strong enough or no such service is available at the chosen station.

PTY SEARCH (Program Type Search)

1. Press the "PTY SEARCH " on remote control, "PTY SELECT" will flash on the display.
2. Press TUNING + /- to choose the program type, for example, NEWS, SPORT, ...etc.
3. Press "PTY SEARCH" again once you choose the program type.
4. When the type of program tuned in, it will stop searching, otherwise, "NO FOUND" will appear.

Tuning

Automatic tuning

When the unit is turned on for the first time, all settings will be default settings. The settings can be changed according to your preference. When the unit is turned off the next time, these settings will naturally be saved as the new default settings. This also applies if you unplug the unit.

When the unit has been turned on, channels must be saved. This is done by means of the autotune function.

1. To use the autotune function through the front panel controls, press the AUTOTUNE button. All available channels on the current tuner band will be saved.
2. You can also press the AUTOTUNE button on the remote control.

Note: Weak stations may also be stored in memory, so manual memory presetting may be needed in order to have better receiving.

Manual tuning

1. If you want to manual tune a channel, you must press the tune + or - button on the remote control. For every push on the button, the frequency will change 0,05MHz on FM and 9 KHz on AM.
2. To store the manually tuned channel, simply press the Memory button on the front panel or the Memo button on the remote. The channel will then be stored on the current preset.

Selecting presets

Channels that have been saved can be selected either by means of the preset P + and P - buttons on the remote control or on the front panel, or by the direct access buttons (1-5 on the front panel or 1-6 on the remote control).

Stereo and Mono

In some areas not all stations can be received noise free, because it is not possible to get a strong enough antenna signal.

In this case there will be a lot of noise on some radio stations. It is possible to reduce the noise quite a bit by listening to the radio station in mono instead of in stereo. This can make the radio station acceptable to listen to. Change to mono by pressing the ST/MO button on the remote or the ST/MONO button on the front panel. To change back to stereo again, simply press the button once again.

Reset

This tuner can be reset. This is used to delete channels stored in the unit. Press the RESET button on the front panel to reset the unit.

TROUBLESHOOTING

PROBLEM	CAUSE/REMEDY
No power when the unit is turned on.	<ul style="list-style-type: none"> - Switch on the electric current at the socket. - Check that the plug has been correctly inserted into the socket. - The internal fuse has blown and must be replaced by a qualified service technician. - The power cord has been damaged and must be replaced.
No sound.	<ul style="list-style-type: none"> - The unit has not been turned on. - Incorrect connection to the amplifier. - No loudspeakers have been connected to the amplifier. - The ST-250 has not found any stations.
The display does not show RDS information.	<ul style="list-style-type: none"> - The ST-250 has not found any stations. - The selected station does not broadcast RDS information. - The antenna signal is too poor. See the section on adjusting the antenna.

TECHNICAL DATA

RF section:		
Tuner bands	FM	87.5-108.0MHz
Sensitivity	AM	522-1620KHz
Presets		-96dBm type
Audio outputs		40
Voltage and power consumption		Stereo, 2.5Vpp
Dimensions (WxDxH)		See back panel
Weight		430 x 290 x 75mm
		4.5 kg

We reserve the right to change the technical data and the design of the product without notice as a result of further development.

CONSUMER NOTICE:

The System Fidelity product you have purchased is subject to Directive 2002/96/EC of the European Parliament and the Council of the European Union on waste electrical and electronic equipment (WEEE) and, in jurisdictions adopting that Directive, is marked as being put on the market after August 13, 2005, and should not be disposed of as unsorted municipal waste. Please utilize your local WEEE collection facilities in the disposition of this product and otherwise observe all applicable requirements.





For further informations please visit our web site
www.systemfidelity.com